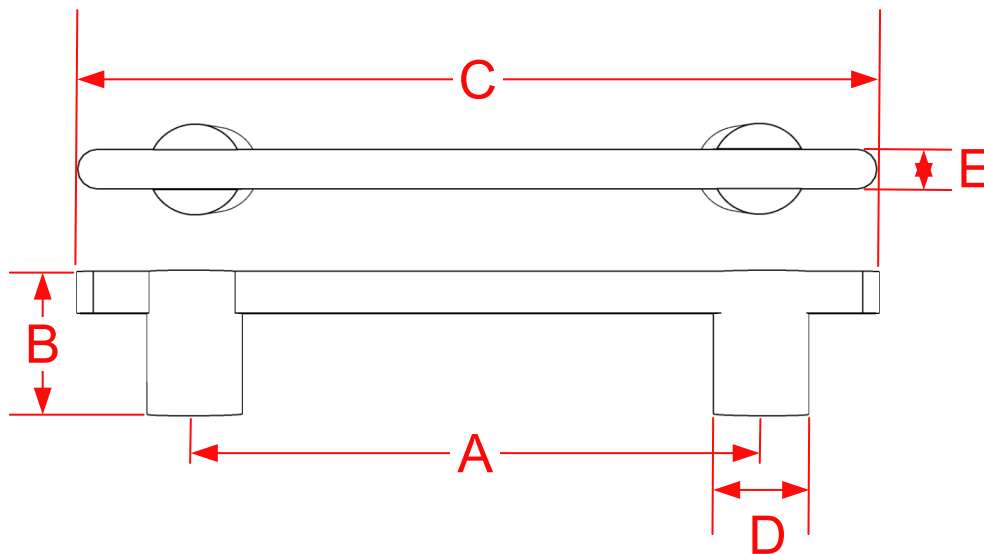


# 40 Series Cabinet & Shower Door Pulls

Finishes for Life  
TARNISH-FREE GUARANTEED



	A	B	C	D	E
Part #	Center to Center	Projection	Overall	Base	Diameter
40-6	6.0000"	1.5000"	8.5000"	1.0000"	0.3750"
40-8	8.0000"	1.5000"	10.5000"	1.0000"	0.3750"
Custom Sizing Available					



Manufacturing Fine Architectural Hardware  
in the USA Since 1927



Copyright 2015  
Colonial Bronze Company  
All rights reserved  
[www.colonialbronze.com](http://www.colonialbronze.com) -  
860.489.9233